



organised by
**Research , Development and Testing National Institute
for Electrical Engineering - ICMET CRAIOVA**

CRAIOVA, 13 - 15 October 2004

*Jubilee Symposium „30 Years of Research-Development and Testing for Electrical Engineering
Industry at ICMET Craiova"*

and

*The Second „International Symposium on High Voltage and High Power Tests, Measurements
and Qualification of Electric Power Equipment"
SIMC - EE 2004*

MODELING LIGHTNING SURGES IN POWER TRANSFORMERS

Grigore CIVIDJIAN*, Gheorghe CĂLIN**, Dorin POPA**, Alin DOLAN*

*University of Craiova, **ICMET Craiova

Abstract – Using FEM, the self and mutual inductances of all the windings of a three phase power autotransformer and their partial capacitances are determined and used to explain the early observed lightning over voltages on the free end of regulating winding.

1. INTRODUCTION

High voltage (HV) and high power (HP) transformer / autotransformer stressing with impulse voltage or high frequency (HF) oscillating voltages is a complex phenomenon depending mainly on the intrinsic characteristics of the windings and on their connections.

At impulse voltage as well as when applying some HF oscillating voltages the windings behave as a complex R-L-C network the elements of which are frequency dependent reason why the voltages appearing in different points of the windings have wave shapes completely different from the ones of the applied voltages, even their peak values being affected. Consequently, on the regulating taps and on on-load tap changer plots important overvoltages can appear and their maximum values greatly exceed the maximum value of the incident voltage.

L – C model study of the processes taking place in transformer winding during voltage impulse testing renders evident the model possibility to identify constructive parameter influence on the level of the voltage impulse generated stresses.

2. INFLUENCE OF SHORT-CIRCUITED TERTIARY WINDING

Denoting by \hat{I} the amplitude of the current in the w turns winding, by Φ the magnetic flux in the core, by r and $x = \omega w^2 \Lambda_s$ the resistance and the leakage reactance of tertiary winding, by $\omega = 2\pi f$ frequency of magnetic field and Λ_s the leakage permeance, the magnetic impedance of the transformer core with short-circuited tertiary winding will be:

$$Z_{sc} = \frac{w \hat{I}}{\Phi} = R_{sc} + j X_{sc}$$

$$R_{sc} = \frac{\omega w^2 r}{r^2 + x^2} \quad (1)$$

$$X_{sc} = \frac{\omega w^2 x}{r^2 + x^2}$$

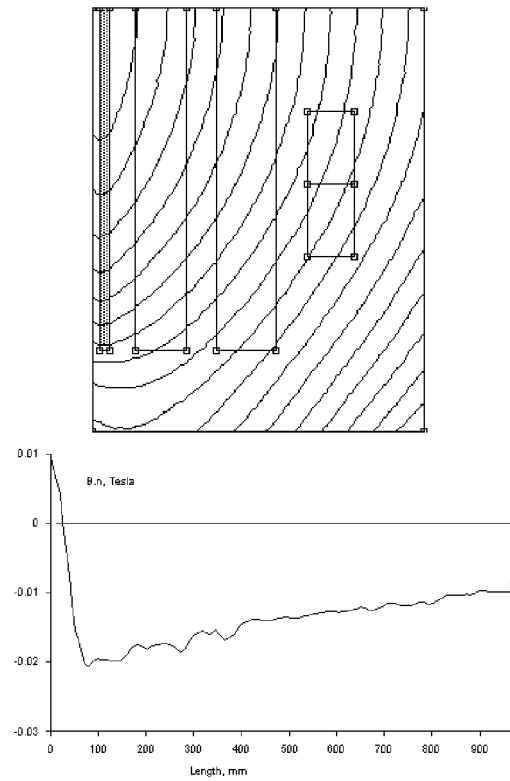


Figure 1: Axisymmetric solution for short-circuited tertiary winding (FEMM)

Mesh size 20, 3128 nodes, 6024 elements
 Current density 0.8 A/mm²
 Total current 25600 A
 Magnetic field energy 678.6 J
 Leakage inductance 12.08 mH
 $\Lambda_s \approx 1 \mu\text{H}$

The permeance of the S - cross-section core-with open winding is given by the average relative permeability μ of the core:

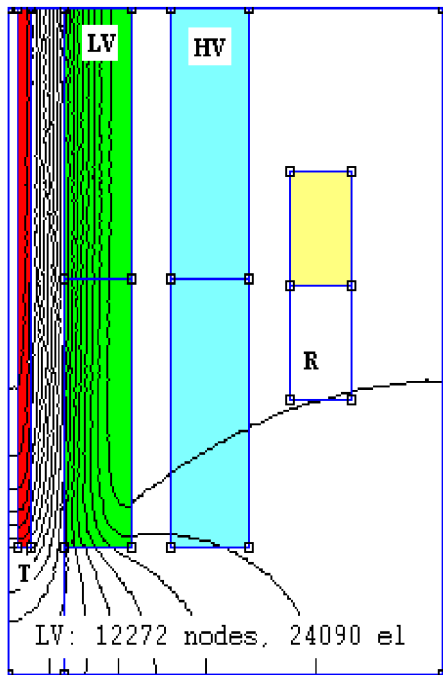


Figure 3: Magnetic field pattern for current injected in low voltage winding

Current	A	578
Ampere turns	kA	189.3
Current densities	A/mm ²	1.262; -5.914
$\iiint_{LV} A j dV$	J	23295
$\iiint_{R/2} A dV$	mWb·m ²	4.29
$\iiint_{HV} A dV$	mWb·m ²	24.82
L_{LV}	mH	69.76
$M_{LV-R/2}$	mH	37.6
M_{HV-LV}	mH	118.9

Table 3: Calculated parameters and their values for current injected in low voltage winding

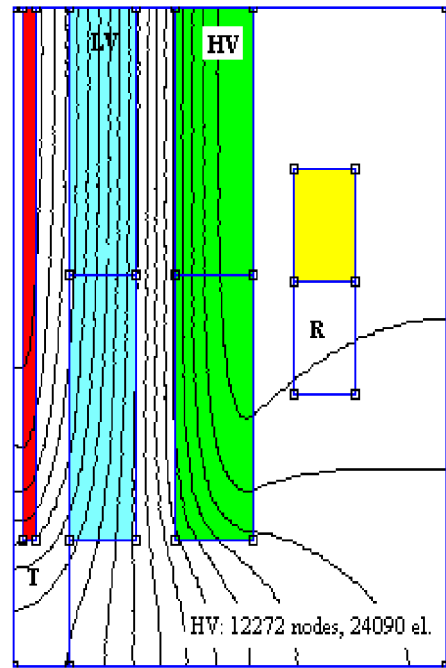


Figure 4: Magnetic field pattern for current injected in high voltage winding

Current	A	289
Ampere turns	kA	138.4
Current densities	A/mm ²	0.8 ; -4.325
$\iiint_{HV} A j dV$	J	39835
$\iiint_{R/2} A dV$	mWb·m ²	9.417
$\iiint_{LV} A dV$	mWb·m ²	17.244
L_{HV}	mH	477
$M_{HV-R/2}$	mH	165.4
M_{HV-LV}	mH	130

Table 4: Calculated parameters and their values for current injected in high voltage winding

4. CAPACITANCE OF A PAIR OF INTERLINKED WINDING DISKS

Denoting by C the capacitance between two adjacent turns, the equivalent capacitance of two disks with $2n$ turns (n turns of each disk) results from the equality of electric energies stocked in wires capacitances and the equivalent capacitance of the two

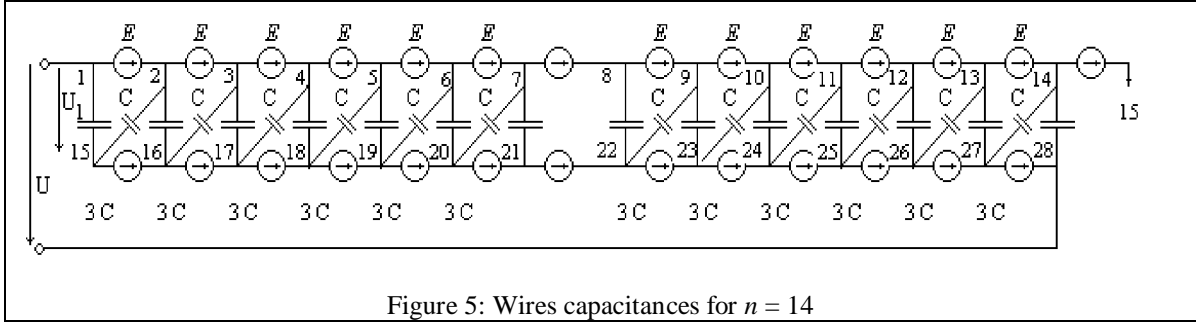


Figure 5: Wires capacitances for $n = 14$

disks (fig. 5):

$$\left[3nU_1^2 + (n-2)U_2^2 \right] \frac{C}{2} = C_e \frac{U^2}{2}$$

$$U_1 = \frac{n}{2n-1}U$$

$$U_2 = \frac{n-1}{2n-1}U$$

The equivalent capacitance of two disks will be:

$$C_e = \frac{2n^2 - n + 2}{2n-1}C$$

$$C = \epsilon_0 \epsilon_p \pi D_m \frac{h_c}{\delta_i}$$

where $\epsilon_p \approx 3.8$

Here δ_i is the conductor insulation double thickness, ϵ_p is the transformer paper relative dielectric permittivity, h_c – the conductor height.

For a winding with N disks the equivalent axial capacitance will be:

$$C_{eN} = \frac{2}{N}C_e = \frac{2(2n^2 - n + 2)}{(2n-1)N}C$$

The longitudinal winding capacitances, determined with above formula, considering only the adjacent wires capacitances and neglecting the capacitances between the wires situated in different disks, are the following:

High voltage winding	Low voltage winding	Regulating winding
1050 m·pF	537 m·pF	183 m·pF

Table 5: Specific longitudinal equivalent wires capacitances

5. SIMPLE SCHEME FOR LIGHTING SURGE EVALUATION ON FREE END OF REGULATING WINDING

We can neglect, in first approximation, the mutual inductances between the regulating winding and low voltage winding, because of relatively low value (2×19 mH) and of the screening effect of the high voltage winding, situated between them. We will neglect also the mutual inductance between high and low voltage windings. In these conditions, we can consider a very simple scheme Simp3 from the fig. 6, which was analyzed with ATP program. The theoretical results are given in fig. 7.

In the next table is given the comparison with experimental data. The large differences are probably the result of the assumptions.

	u_{max}	u_{min}	$(u_1-u_2)_{max}$	t_{min}
Experim.	40 V	-220 V	340 V	34.5 μ s
Calc.	29 V	-162 V	290 V	30.0 μ s

Table 6: Experimental and calculated results

6. CONCLUSIONS

1. The characteristic length of the lumped elements necessary for consideration is of the order of 20-50 cm.
2. The simplified scheme can be used to identify the influence of the constructive parameters of the autotransformer on the level and the frequency of lighting surges.

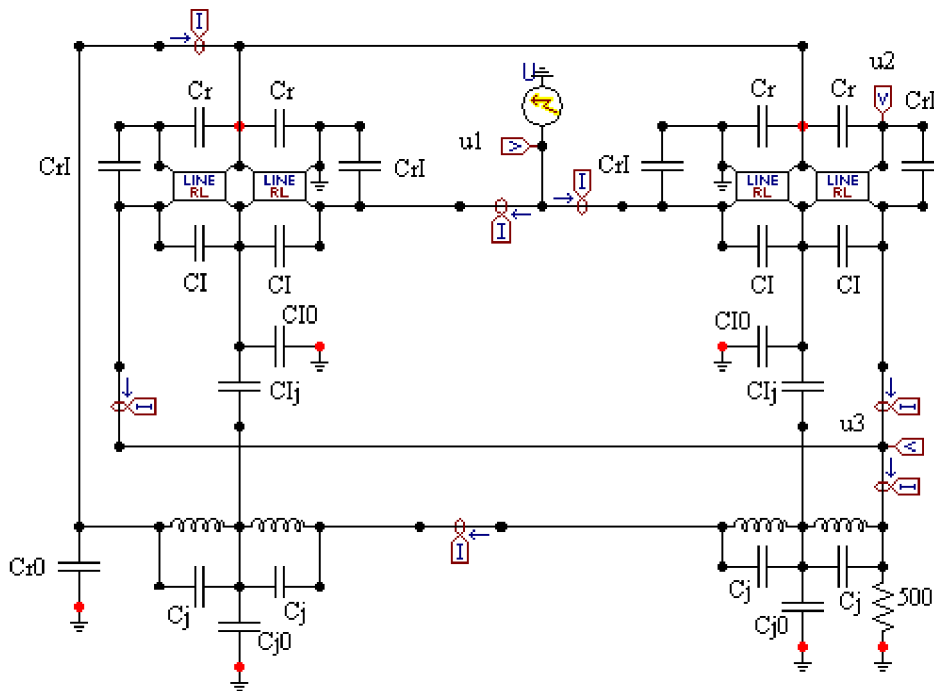


Figure 6: Simplified scheme of transformer windings

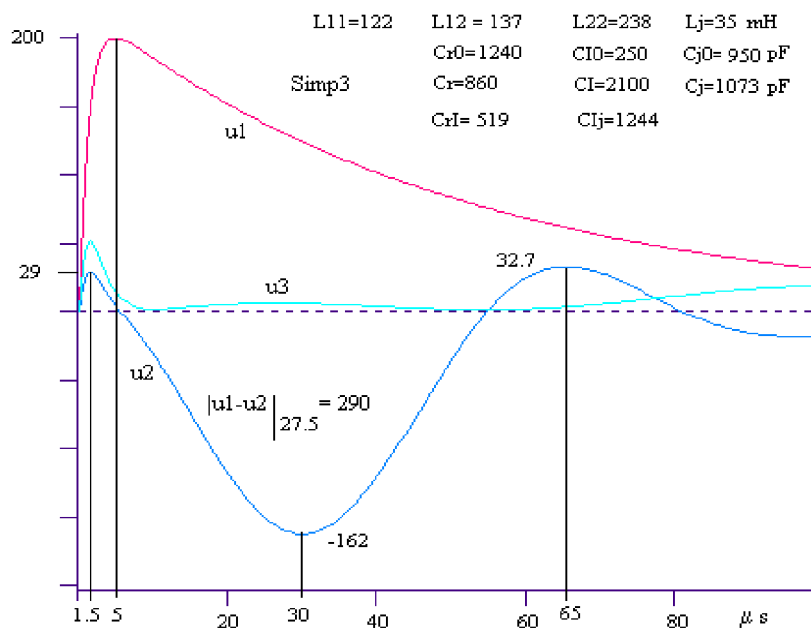


Figure 7: Lighting surge in free end of regulating winding and in the common terminal A_2 (u_2 point and respectively u_3 point from simplified scheme).

References

- [1] K. Karsay, D. Kerenyi, L. Kiss, *Large Power Transformers*, Akademiai Kiado, Budapest 1987.
- [2] A. Marinescu, Gh. Călin, *HV Power Auto-Transformers Protected for Internal Overvoltages*, Proceedings of the 8th International Conference on Optimization of Electrical and Electronic Equipments, May 16-17, 2002, Braşov.
- [3] D. Meeker, *Femm editor ver. 3.1*, <http://femm.berlios.de>
- [4] L. Prikler, H.K. Hoidalen, *ATPDRAW ver. 3.5 for Windows*, Preliminary Release no. 1, August 2002.
- [5] A. Marinescu, *Transformer behaviour at switching overvoltages* (in romanian), Editura Tehnica, Bucuresti, 1988